

UNIVERSAL COUPLING

series MUN



APPLICATION

Universal couplings are used for connecting various pipes

DESIGN FEATURES

Large tolerance

The bolt ends are protected with plastic caps

TECHNICAL CHARACTERISTICS

Maximum working pressure: PN16 / 16 bar

Working temperature: 0°C - +70°C

Color RAL5015

Powder epoxy coating 250 µm thickness

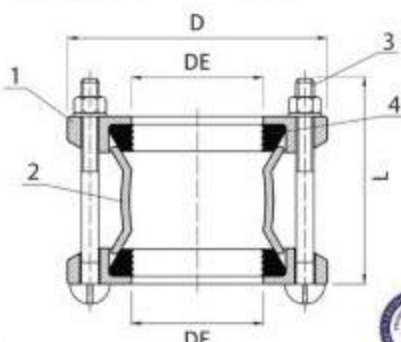
Bolts, nuts and washers - carbon steel 8.8 hot dip galvanized

Maximum angular deflection at each end - 4°

FLANGE ADAPTORS AND COUPLINGS

DN	O.D range	D	Bolts	Bolt qty.	KG	BLUCAST ref. no.
50	59-72	164	M12x180	2	2,6	MUN050
65	72-85	182	M12x180	2	2,8	MUN065
80	88-103	192	M12x180	4	3,7	MUN080
100 to 80	88-103 / 109-128	192 / 224	M12x180	4	4,2	MUN100080
100	109-128	224	M12x180	4	4,6	MUN100
150 to 100	109-128 / 159-182	224 / 283	M12x190	4	6,6	MUN150100
150	159-182	283	M12x190	4	6,9	MUN150
175	192-210	304	M12x190	4	9,2	MUN175
200	218-235	333	M12x210	4	9,7	MUN200
200 to 150	159-182 / 218-235	283 / 333	M12x210	4	8	MUN200150
250	272-289	394	M12x220	6	12,5	MUN250
300	315-332	421	M12x220	6	15,3	MUN300
400	417-437	536	M14x250	8	28	MUN400
500	526-546	618	M14x250	10	38,5	MUN500
600	630-650	734	M14x250	10	58,75	MUN600

No.	Item	Material
1	Bracket	Ductile iron EN-GJS-500-7
2	Body	Ductile iron EN-GJS-500-7
3	Bolt	8.8 carbon steel hot dip galvanized
4	Sealing gasket	EPDM



g) are non-binding and are subject to change