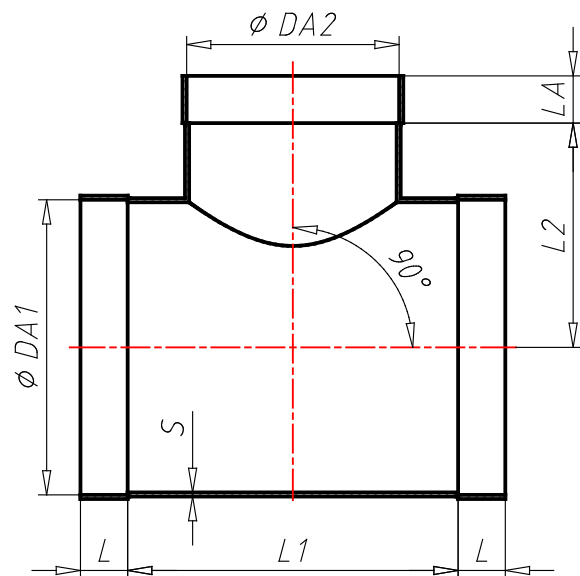


## Data sheet HoKa PVC 90° branch outlet with sockets Ø 315-280-315 mm

### Specification

HOKA PVC branch outlet 90° with sockets, outflow reduced Plastic molded part round with internal stop for connecting pipes in an exhaust system by means of welding. Socket inside diameter in accordance with DIN 8062. Production process: made of semi-finished products. Negative overpressure on demand for mechanical, chemical and thermal stress.



Order number (CNSORDERNO)	3005665H
Article (ART)	HoKa PVC 90° branch outlet with sockets Ø 315-280-315 mm
Weight (CNSMASSEXACT)	0
Material (CNSMAT)	PVC
Color (FAR)	RAL 7011
Diameter (DA1)	315
Diameter (DA2)	280
Angle (W)	90°
Length (L)	50
Length (LA)	40
Length (L1)	345
Length (L2)	195
Thickness (S)	4
Information representation (INFO2)	The model shown may differ from the actual version!
Bemerkung (HINT)	The specified dimensions are installation dimensions