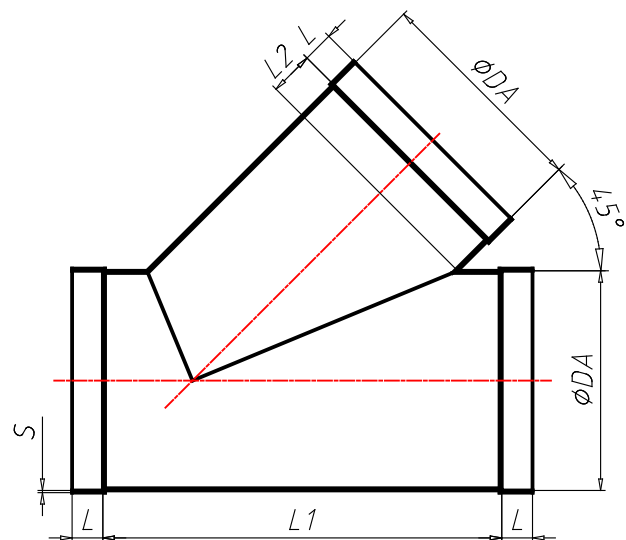


## Data sheet HoKa PVC 45° branch outlet with sockets Ø 280 mm

### Specification

HOKA PVC 45° branch outlet socket plastic formed part round with interior stop for connecting pipes in an exhaust system by welding process. Socket inside diameter on the basis of DIN 8062, manufacturing process: Ø 50 to 315 mm injection moulding, from Ø 355 mm made of semi-finished products Negative overpressure upon request according to mechanical, chemical and thermal load.



Order number (CNSORDERNO)	3000330H
Article (ART)	HoKa PVC 45° branch outlet with sockets Ø 280 mm
Weight (CNSMASSEXACT)	3
Material (CNSMAT)	PVC
Color (FAR)	RAL 7011
Diameter (DA)	280
Angle (W)	45
Lenght (L)	40
Lenght (L1)	496
Lenght (L2)	50
Tolerance Ø (TOL)	0.6
Thickness (S)	2.5
Bemerkung (HINT)	The specified dimensions are installation dimensions