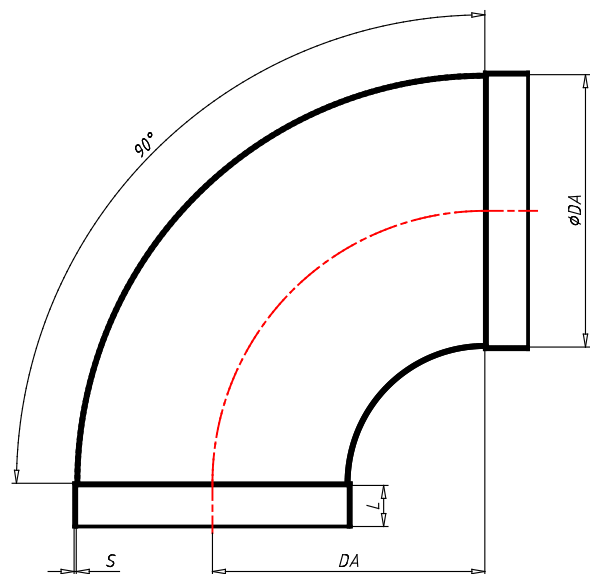


Data sheet HoKa PVC moulded 90° bend with sockets Ø 250 mm

Specification

HOKA PVC 90° bend with socket plastic formed part round with interior stop for connecting pipes in an exhaust system by welding process. Socket inside diameter on the basis of DIN 8062, R=D manufacturing process: Ø 50 to 400 mm injection moulding, Ø 450 to 600 mm patented blow moulding, from Ø 700 segment welded Negative overpressure upon request according to mechanical, chemical, and thermal load.



Article number (CNSORDERNO)	3000009H
Article (ART)	HoKa PVC moulded 90° bend with sockets Ø 250 mm
Weight (CNSMASSEXACT)	1.987
Material (CNSMAT)	PVC
Color (FAR)	RAL 7011
Diameter (DA)	250
Angle (W)	90
Length (L)	40
Tolerance Ø (TOL)	0.5
Thickness (S)	2
Bemerkung (HINT)	The specified dimensions are installation dimensions