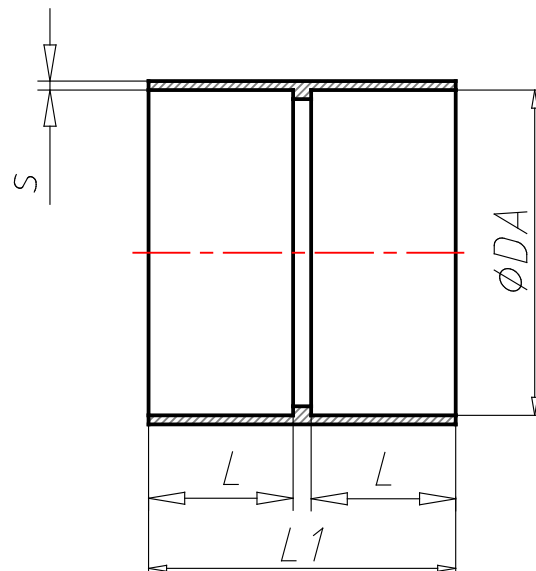


Data sheet HoKa PVC double socket \varnothing 250 mm

Specification

HOKA PVC double socket plastic formed part round with interior stop for connecting pipes in an exhaust system by welding process. Socket inside diameter on the basis of DIN 8062, manufacturing process: \varnothing 50 to 400 mm injection moulding, from \varnothing 450 mm made of semi-finished products Negative overpressure upon request according to mechanical, chemical and thermal load.



Article number (CNSORDERNO)	3000810H
Article (ART)	HoKa PVC double socket \varnothing 250 mm
Weight (CNSMASSEXACT)	0.31
Material (CNSMAT)	PVC
Color (FAR)	RAL 7011
Diameter (DA)	250
Length (L)	40
Length (L1)	85
Tolerance \varnothing (TOL)	0.5
Thickness (S)	2.5
Bemerkung (HINT)	The specified dimensions are installation dimensions