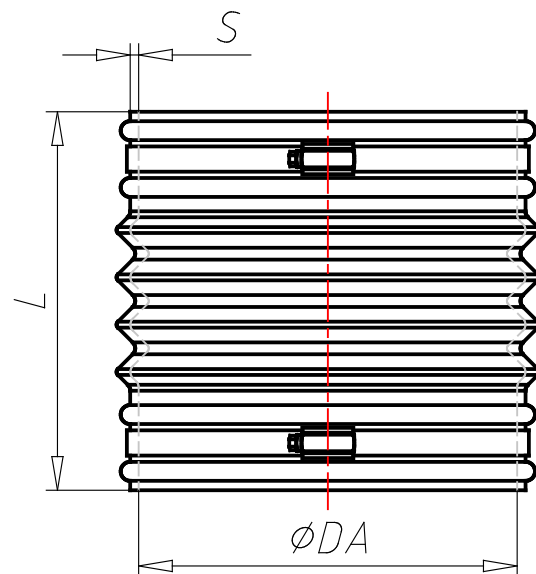


## Data sheet HoKa PVC flexible connector soft-PVC Ø 315 mm

### Specification

HOKA PVC basic soft flexible connector plastic formed part round for connecting pipes and compensation of linear expansion and vibrations in an exhaust system by welding process or fastening with hose clamps. Socket inside diameter on the basis of DIN 8062, R=D manufacturing process: Ø 50 to 400 mm injection moulding, Ø 450 mm made of semi-finished products Negative overpressure upon request according to mechanical, chemical and thermal load.



Article number (CNSORDERNO)	3001782H
Article (ART)	HoKa PVC flexible connector soft-PVC Ø 315 mm
Weight (CNSMASSEXACT)	0.641
Material (CNSMAT)	Soft PVC base
Color (FAR)	similar to RAL 7011
Diameter (DA)	315
Length (L)	150
Thickness (S)	2
Wave (W)	4