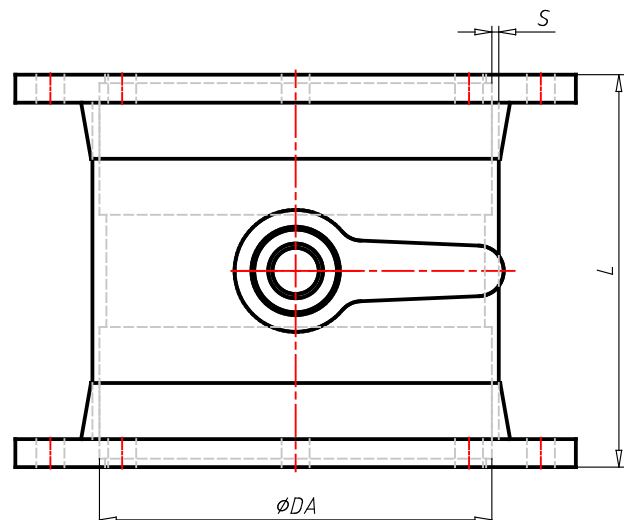


Data sheet HoKa PP damper control valve for manual purpose Ø 250 mm with flanges

Specification

HOKA PP-H damper valve with hand lever with flange plastic fitting round with interior stop for connecting pipes in an exhaust system by welding process. as damper valve for adjusting volumetric flow rates Socket inside diameter on the basis of DIN 8077, manufacturing process: up to Ø 400 mm made of moulded parts, from Ø 450 mm made of semi-finished products . Possible negative overpressure upon request according to mechanical, chemical and thermal load.



Article number (CNSORDERNO)	1102587H
Article (ART)	HoKa PP damper control valve for manual purpose Ø 250 mm with flanges
Weight (CNSMASSEXACT)	0
Material (CNSMAT)	PP
Color (FAR)	RAL 7032
Color Handle (FARH)	RAL 3020
Diameter (DA)	250
Length (L)	180
Tolerance Ø (TOL)	2
Wall thickness (S)	3.5