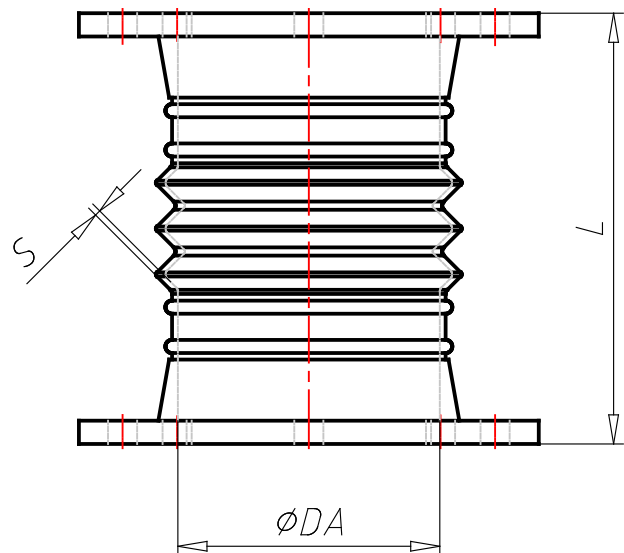


## Data sheet HoKa PVC flexible connector with PP flanges Ø 90 mm

### Specification

HOKA PVC soft flexible connector both sides with PP-H flange plastic formed part round for connecting pipes and compensation of linear expansion and vibrations in an exhaust system by welding process manufacturing process flexible connector: Ø 75 to 400 mm injection moulding, from Ø 450 mm made of semi-finished products manufacturing process flange: Ø 75 to 400 mm injection moulding, from Ø 450 mm made of semi-finished products Negative overpressure upon request according to mechanical, chemical and thermal load.



Article number (CNSORDERNO)	7001086H
Article (ART)	HoKa PVC flexible connector with PP flanges Ø 90 mm
Weight (CNSMASSEXACT)	0
Material (CNSMAT)	Soft PVC base
Color (FAR)	similar to RAL 7011
Flange material (MATF)	PP
Color flange (FARBF)	RAL 7032
Diameter (DA)	90
Length (L)	155
Thickness (S)	2
Wave (W)	3