

# FLANGED SADDLE WITHOUT SS BANDS FOR DI PIPES series BFL



## APPLICATION

BLUCAST saddles series BFL for ductile iron pipes are universal in size. Designed to be used with stainless steel bands JB.

## TECHNICAL CHARACTERISTICS

Flange end connections according to EN1092-2: PN10/PN16

Designed according to EN545

Maximum working pressure: PN16 / 16 bar

Working temperature: 0°C - +70°C

Color RAL5015

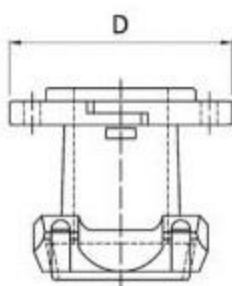
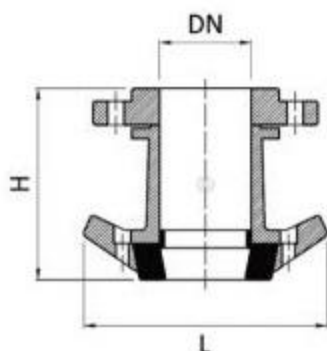
Powder epoxy coating 250 µm thickness

Gasket: EPDM

Body from ductile iron EN-GJS-500-7

2 pcs JB bands per one saddle

DN	OUTLET DN	H	L	Weight	BLUCAST ref. no.
150 - 400	80	165	220	9.2	BFL150400080
250 - 400	100	165	220	10.5	BFL250400100



All illustrations, technical data, dimensions (in mm) and weights (all weights specified in kg) are non-binding and