

3-Way ball valve type 167 PVC-U
Horizontal/T-port 24V
With manual emergency override
With solvent cement sockets metric

Model:

- Voltage 24V AC/DC
- Factory set control range 90°<
- Basic position A-B-C opened, activated position B-C opened, see flow scheme
- Other positions possible by adjusting the limit switches
- Heating element, position feedback (Open/Close/ Middle)
- Integrated stainless steel mounting inserts

Option:

- Optional accessories: Fail-safe return unit, Monitoring board, Position controller, Profibus DP board

d (mm)	DN (mm)	PN (bar)	kv-value ($\Delta p=1$ bar) (l/min)	EA	EPDM Code	Weight (kg)	FKM Code	Weight (kg)
16	10	10	140	EA25	199 167 242	2.121	199 167 252	2.121
20	15	10	200	EA25	199 167 243	2.127	199 167 253	2.127
25	20	10	470	EA25	199 167 244	2.254	199 167 254	2.254
32	25	10	793	EA25	199 167 245	2.817	199 167 255	2.439
40	32	10	1290	EA25	199 167 246	3.197	199 167 256	2.859
50	40	10	1910	EA25	199 167 247	3.654	199 167 257	3.301
63	50	10	3100	EA25	199 167 248	4.972	199 167 258	4.638

d (mm)	D (mm)	H (mm)	H1 (mm)	H2 (mm)	H3 (mm)	H5 (mm)	H6 (mm)	L (mm)	L1 (mm)	L2 (mm)	L3 (mm)	L4 (mm)	L5 (mm)	L6 (mm)	L7 (mm)
16	50	231	28	64	94	167	8	109	180	73	36	25	97	83	122
20	50	231	28	64	94	167	8	112	180	73	36	25	97	83	122
25	58	240	32	73	94	167	8	131	180	86	43	25	97	83	122
32	68	240	36	73	94	167	8	151	180	99	50	25	97	83	122
40	84	251	45	84	94	167	9	181	180	120	60	45	97	83	122
50	97	251	51	84	94	167	9	205	180	137	69	45	97	83	122
63	124	273	65	106	94	167	9	261	180	179	89	45	97	83	122

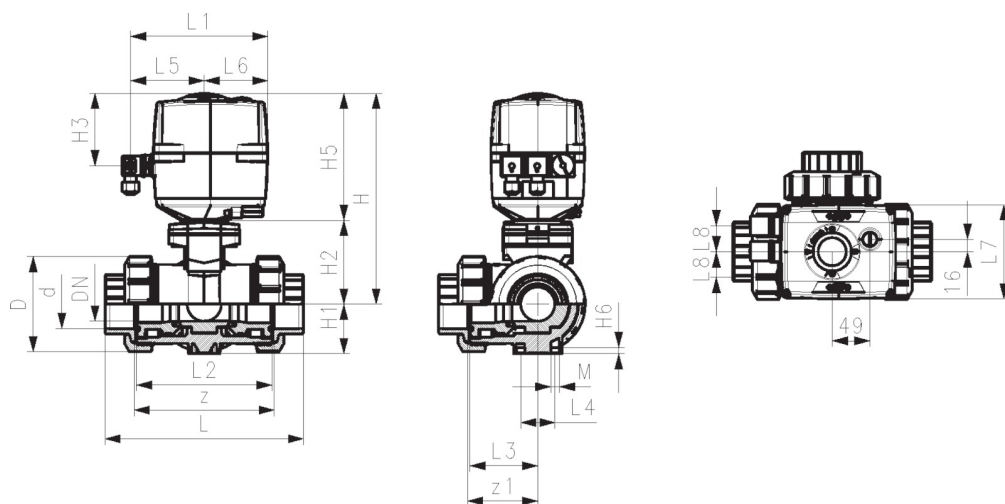
d (mm)	L8 (mm)	M	z (mm)	z1 (mm)	closest inch (inch)
16	33	6	81	40	$\frac{3}{8}$
20	33	6	81	40	$\frac{1}{2}$
25	33	6	94	47	$\frac{3}{4}$

Data sheet

valid from: 6/30/17



d (mm)	L8 (mm)	M	z (mm)	z1 (mm)	closest inch (inch)
32	33	6	107	54	1
40	33	8	130	65	1 ¼
50	33	8	143	72	1 ½
63	33	8	185	92	2



The technical data are not binding. They neither constitute expressly warranted characteristics nor guaranteed properties nor a guaranteed durability. They are subject to modification. Our General Terms of Sale apply.

Georg Fischer Piping Systems Ltd, Postfach, CH-8201 Schaffhausen/Switzerland

Phone +41 -(0)52-631 1111

e-mail: info.ps@georgfischer.com

Internet: <http://www.gfps.com>