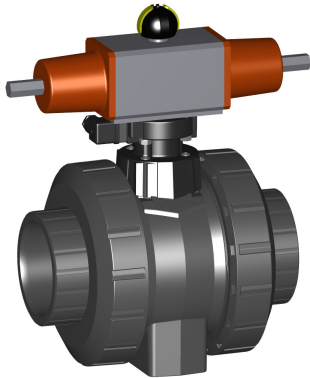


DN10/15 - 50



Ball valve type 230 PVC-U FC (Fail safe to close)
Without manual override
With solvent cement sockets metric

Model:

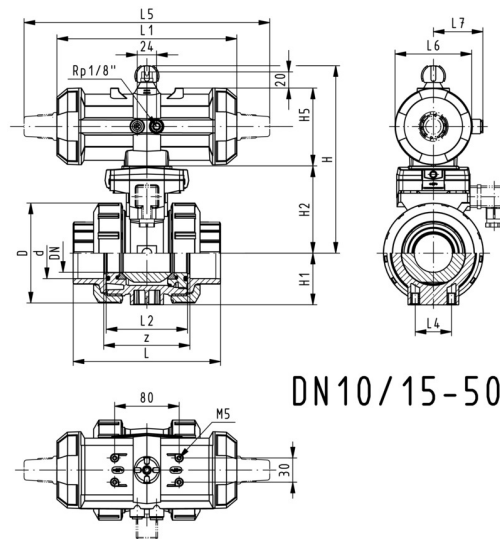
- Control time 90° < 1-2s
- Assignment of actuators: PA11 (DN10/15-25), PA21 (DN32-50), PA30 (DN65), PA40 (DN80), PA40 (DN100)
- For easy installation and removal
- Integrated stainless steel mounting inserts

Option:

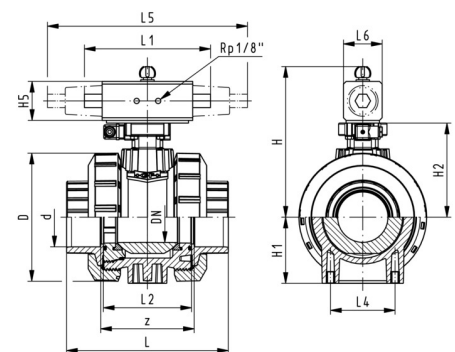
- Individual configuration of the valve (see diagram)

d	DN	PN	kv-value	EPDM	SP	Weight	FKM	SP	Weight
(mm)	(mm)	(bar)	($\Delta p=1$ bar)	Code		(kg)	Code		(kg)
			(L/min)						
16	10	10	70	199 230 122	1	3.074	199 230 132	1	1.159
20	15	10	185	199 230 123	1	1.034	199 230 133	1	1.034
25	20	10	350	199 230 124	1	1.133	199 230 134	1	1.133
32	25	10	700	199 230 125	1	1.233	199 230 135	1	1.238
40	32	10	1000	199 230 126	1	2.183	199 230 136	1	2.188
50	40	10	1600	199 230 127	1	2.408	199 230 137	1	2.421
63	50	10	3100	199 230 128	1	3.121	199 230 138	1	3.163
75	65	10	5000	199 230 129	1	6.136	199 230 139	1	7.800
90	80	10	7000	199 230 130	1	9.536	199 230 140	1	10.200
110	100	10	11000	199 230 131	1	15.500	199 230 141	1	15.500

d	D	H	H1	H2	H5	L	L1	L2	L4	L5	L6	L7	z	closest
(mm)	(mm)	(mm)	(mm)	(mm)	(mm)	(mm)	(mm)	(mm)	(mm)	(mm)	(mm)	(mm)	(mm)	inch
														(inch)
16	50	159	27	62	77	92	194	56	25	261	76	48	64	3/8
20	50	159	27	62	77	95	194	56	25	261	76	48	64	1/2
25	58	168	30	71	77	110	194	65	25	261	76	48	72	3/4
32	68	168	36	71	77	123	194	71	25	261	76	48	79	1
40	84	202	44	84	99	146	224	85	45	305	95	59	94	1 1/4
50	97	202	51	84	99	157	224	89	45	305	95	59	95	1 1/2
63	124	225	64	106	99	183	224	101	45	305	95	59	107	2
75	166	262	85	156	70	233		136	70	276	65		144	2 1/2
90	200	281	105	168	78	254		141	70	341	72		151	3
110	238	292	123	175	86	301		164	120	369	80		174	4



DN10/15-50



DN65-100

Data sheet

valid from: 6/30/17



The technical data are not binding. They neither constitute expressly warranted characteristics nor guaranteed properties nor a guaranteed durability. They are subject to modification. Our General Terms of Sale apply.

Georg Fischer Piping Systems Ltd, Postfach, CH-8201 Schaffhausen/Switzerland

Phone +41 -(0)52-631 1111

e-mail: info.ps@georgfischer.com

Internet: <http://www.gfps.com>