

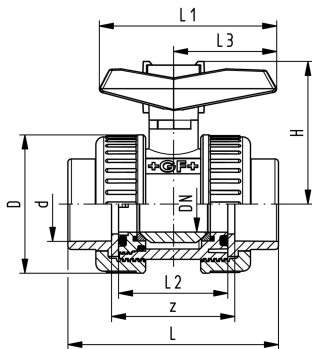
**Ball valve type 375 PVC-U**  
**With solvent cement sockets metric**  
**Inclusive 2 threaded valve ends Rp**

**Model:**

- For easy installation and removal
- Ball seals PTFE
- Actuator unit not connectable
- Threaded valve ends are only enclosed for DN10/15-50
- z-dimension, valve end and union nut are not compatible with type 546

**Range of use:**

- Basic applications of the water treatment sector as well as other applications involving water.



d (mm)	DN (mm)	PN (bar)	kv-value ( $\Delta p=1$ bar) (L/min)	EPDM Code	SP	Weight (kg)	FPM Code	SP	Weight (kg)
16	10	16	71	161 375 501	1	0.130	161 375 511	1	0.130
20	15	16	185	161 375 502	1	0.130	161 375 512	1	0.134
25	20	16	350	161 375 503	1	0.207	161 375 513	1	0.210
32	25	16	700	161 375 504	1	0.298	161 375 514	1	0.300
40	32	16	1000	161 375 505	1	0.444	161 375 515	1	0.453
50	40	16	1600	161 375 506	1	0.686	161 375 516	1	0.699
63	50	16	3100	161 375 507	1	1.180	161 375 517	1	1.203
75	65	10	5000	161 375 508	1	2.191	161 375 518	1	2.216
90	80	10	7000	161 375 509	1	3.335	161 375 519	1	3.364
110	100	10	11000	161 375 510	1	5.990	161 375 520	1	6.060

d (mm)	D (mm)	H (mm)	L (mm)	L1 (mm)	L2 (mm)	L3 (mm)	z (mm)
16	50	53	76	67	42	40	48
20	50	53	80	67	42	40	48
25	59	60	91	77	48	45	53
32	68	67	102	87	54	51	58
40	80	79	120	102	62	59	68
50	94	90	140	119	72	70	78
63	115	107	169	146	86	84	93
75	145	129	206	179	110	103	118
90	168	143	242	209	128	120	140
110	210	169	282	250	150	141	160

The technical data are not binding. They neither constitute expressly warranted characteristics nor guaranteed properties nor a guaranteed durability. They are subject to modification. Our General Terms of Sale apply.

Georg Fischer Piping Systems Ltd, Postfach, CH-8201 Schaffhausen/Switzerland

Phone +41 -(0)52-631 1111

e-mail: [info.ps@georgfischer.com](mailto:info.ps@georgfischer.com)

Internet: <http://www.gfps.com>