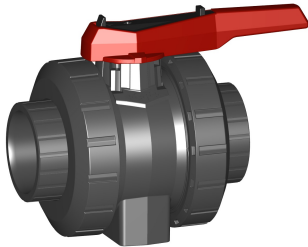


DN10/15 - 50



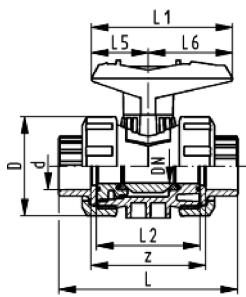
Ball valve type 546 PVC-U
With mounting inserts
With solvent cement sockets metric

Model:

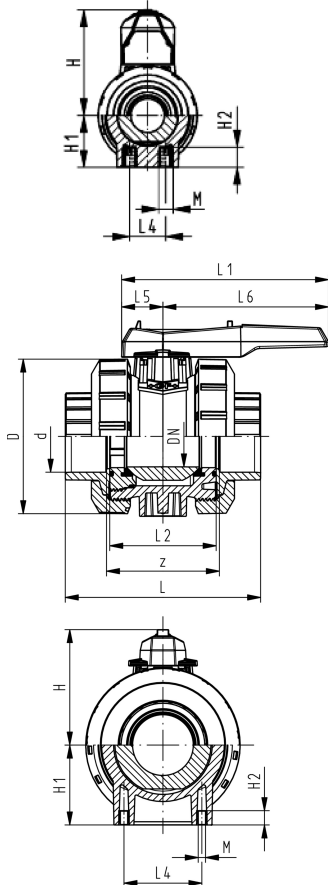
- For easy installation and removal
- Ball seals PTFE
- Integrated stainless steel mounting inserts
- z-dimension, valve end and union nut are **not compatible** with type 346 (DN10/15-50) resp. type 370 (DN65-100)

Option:

- Individual configuration of the valve (see diagram)
- Multifunctional module with integrated limit switches
- Pneumatic or electric actuators from +GF+



| d | Size | DN | PN | kv-value | EPDM | SP | Weight | FPM | SP | Weight |
|------|--------|------|-------|---------------------|-------------|----|--------|-------------|----|--------|
| (mm) | (inch) | (mm) | (bar) | ($\Delta p=1$ bar) | Code | | (kg) | Code | | (kg) |
| | | | | (L/min) | | | | | | |
| 16 | | 10 | 16 | 71 | 161 546 061 | 1 | 0.153 | 161 546 071 | 1 | 0.156 |
| 20 | | 15 | 16 | 185 | 161 546 062 | 1 | 0.156 | 161 546 072 | 1 | 0.158 |
| 25 | | 20 | 16 | 350 | 161 546 063 | 1 | 0.240 | 161 546 073 | 1 | 0.242 |
| 32 | | 25 | 16 | 700 | 161 546 064 | 1 | 0.343 | 161 546 074 | 1 | 0.345 |
| 40 | | 32 | 16 | 1000 | 161 546 065 | 1 | 0.610 | 161 546 075 | 1 | 0.615 |
| 50 | | 40 | 16 | 1600 | 161 546 066 | 1 | 0.838 | 161 546 076 | 1 | 0.844 |
| 63 | | 50 | 16 | 3100 | 161 546 067 | 1 | 1.537 | 161 546 077 | 1 | 1.552 |
| 75 | 2 ½ | 65 | 16 | 5000 | 161 546 068 | 1 | 4.343 | 161 546 078 | 1 | 3.563 |
| 90 | | 80 | 16 | 7000 | 161 546 069 | 1 | 6.184 | 161 546 079 | 1 | 5.376 |
| 110 | | 100 | 16 | 11000 | 161 546 070 | 1 | 8.642 | 161 546 080 | 1 | 11.600 |



| d | D | H | H1 | H2 | L | L1 | L2 | L4 | L5 | L6 | M | z | closest |
|------|------|------|------|------|------|------|------|------|------|------|------|------|---------|
| (mm) | (mm) | (mm) | (mm) | (mm) | (mm) | (mm) | (mm) | (mm) | (mm) | (mm) | (mm) | (mm) | inch |
| | | | | | | | | | | | | | (inch) |
| 16 | 50 | 57 | 27 | 12 | 92 | 77 | 56 | 25 | 32 | 45 | 6 | 64 | ¾ |
| 20 | 50 | 57 | 27 | 12 | 95 | 77 | 56 | 25 | 32 | 45 | 6 | 64 | ½ |
| 25 | 58 | 67 | 30 | 12 | 110 | 97 | 65 | 25 | 39 | 58 | 6 | 72 | ¾ |
| 32 | 68 | 73 | 36 | 12 | 123 | 97 | 71 | 25 | 39 | 58 | 6 | 79 | 1 |
| 40 | 84 | 90 | 44 | 15 | 146 | 128 | 85 | 45 | 54 | 74 | 8 | 94 | 1 ¼ |
| 50 | 97 | 97 | 51 | 15 | 157 | 128 | 89 | 45 | 54 | 74 | 8 | 95 | 1 ½ |
| 63 | 124 | 116 | 64 | 15 | 183 | 152 | 101 | 45 | 66 | 87 | 8 | 107 | 2 |
| 75 | 166 | 149 | 85 | 15 | 233 | 270 | 136 | 70 | 64 | 206 | 8 | 144 | 2 ½ |
| 90 | 200 | 161 | 105 | 15 | 254 | 270 | 141 | 70 | 64 | 206 | 8 | 151 | 3 |
| 110 | 238 | 178 | 123 | 22 | 301 | 320 | 164 | 120 | 64 | 256 | 12 | 174 | 4 |

Datasheet

valid from: 1/31/16



The technical data are not binding. They neither constitute expressly warranted characteristics nor guaranteed properties nor a guaranteed durability. They are subject to modification. Our General Terms of Sale apply.

Georg Fischer Piping Systems Ltd, Postfach, CH-8201 Schaffhausen/Switzerland

Phone +41 -(0)52-631 1111

e-mail: info.ps@georgfischer.com

Internet: <http://www.gfps.com>