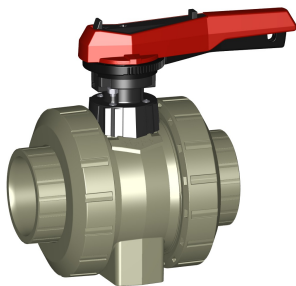


DN10/15 - 50



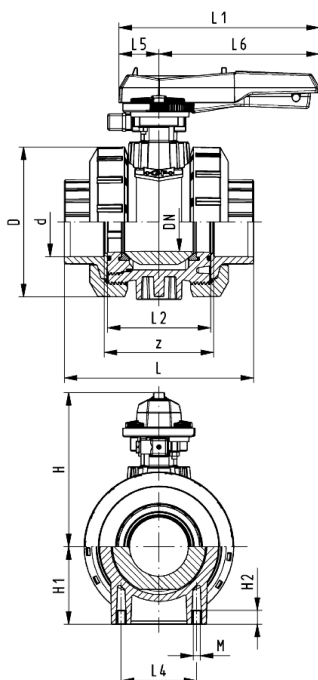
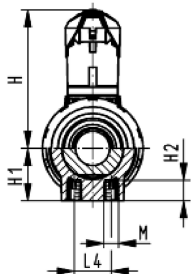
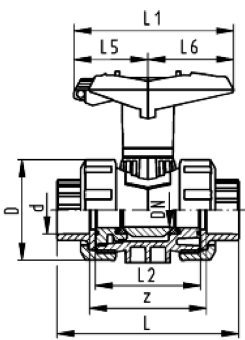
## PROGEF Standard Ball valve type 546 With lockable handle With fusion sockets metric

### Model:

- Material: PP-H
- For easy installation and removal
- Ball seals PTFE
- Integrated stainless steel mounting inserts
- z-dimension, valve end and union nut are **not compatible** with type 346 (DN10/15-50) resp. type 370 (DN65-100)
- Lockable hand lever with ratchet settings

### Option:

- Individual configuration of the valve (see diagram)
- Multifunctional module with integrated limit switches
- Pneumatic or electric actuators from +GF+

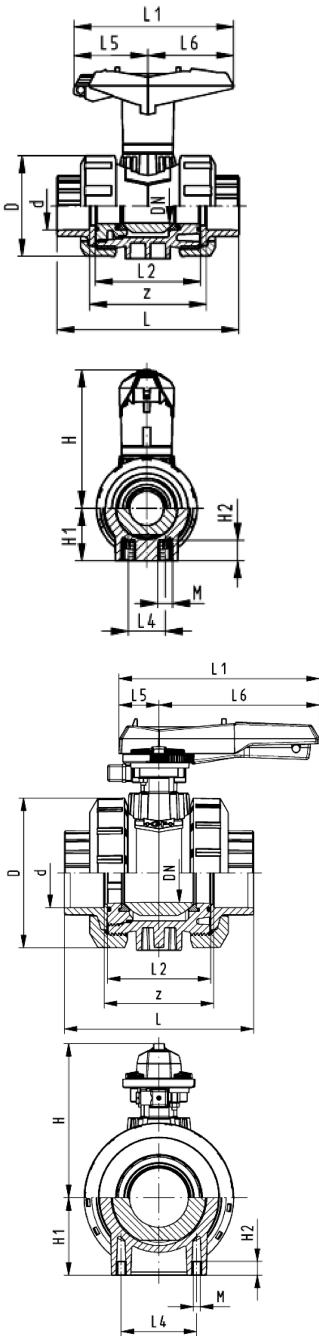


d [mm]	DN [mm]	PN [bar]	kv-val- ue ( $\Delta p=1$ bar) [l/min]	EPDM Code	SP	Weight [kg]	FPM Code	SP	Weight [kg]
16	10	10	71	<b>167 546 421</b>	1	0.125	<b>167 546 431</b>	1	0.125
20	15	10	185	<b>167 546 422</b>	1	0.125	<b>167 546 432</b>	1	0.125
25	20	10	350	<b>167 546 423</b>	1	0.195	<b>167 546 433</b>	1	0.195
32	25	10	700	<b>167 546 424</b>	1	0.270	<b>167 546 434</b>	1	0.270
40	32	10	1000	<b>167 546 425</b>	1	0.465	<b>167 546 435</b>	1	0.465
50	40	10	1600	<b>167 546 426</b>	1	0.635	<b>167 546 436</b>	1	0.635
63	50	10	3100	<b>167 546 427</b>	1	1.175	<b>167 546 437</b>	1	1.175
75	65	10	5000	<b>167 546 428</b>	1	4.000	<b>167 546 438</b>	1	4.000
90	80	10	7000	<b>167 546 429</b>	1	5.900	<b>167 546 439</b>	1	4.715
110	100	10	11000	<b>167 546 430</b>	1	9.100	<b>167 546 440</b>	1	7.252

d [mm]	D [mm]	H [mm]	H1 [mm]	H2 [mm]	L [mm]	L1 [mm]	L2 [mm]	L4 [mm]	L5 [mm]	L6 [mm]	M	z [mm]	closest inch [inch]
16	50	79	27	12	93	77	56	25	32	45	M6	67	3/8
20	50	79	27	12	95	77	56	25	32	45	M6	66	1/2
25	58	88	30	12	109	97	65	25	39	58	M6	77	3/4
32	68	94	36	12	119	97	71	25	39	58	M6	83	1
40	84	113	44	15	135	128	85	45	54	74	M8	99	1 1/4
50	97	119	51	15	147	128	89	45	54	74	M8	105	1 1/2

# Datasheet

valid from: 7/6/15



d [mm]	D [mm]	H [mm]	H1 [mm]	H2 [mm]	L [mm]	L1 [mm]	L2 [mm]	L4 [mm]	L5 [mm]	L6 [mm]	M	z [mm]	closest inch [inch]
63	124	141	64	15	168	152	101	45	66	87	M8	117	2
75	166	224	85	15	233	270	136	70	64	206	M8	167	2 ½
90	200	235	105	15	254	270	141	70	64	206	M8	180	3
110	238	245	123	22	301	320	164	120	64	256	M12	215	4

The technical data are not binding. They neither constitute expressly warranted characteristics nor guaranteed properties nor a guaranteed durability. They are subject to modification. Our General Terms of Sale apply.

Georg Fischer Piping Systems Ltd, Postfach, CH-8201 Schaffhausen/Switzerland  
 Phone +41 -(0)52-631 1111  
 e-mail: [info.ps@georgfischer.com](mailto:info.ps@georgfischer.com)  
 Internet: <http://www.gfps.com>