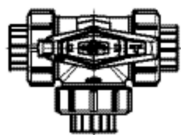
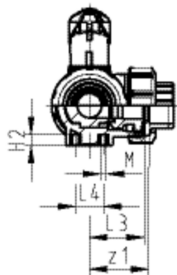
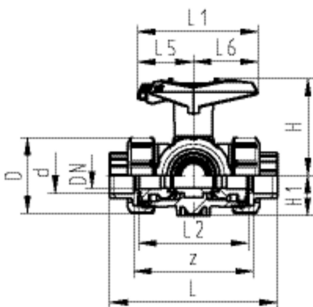
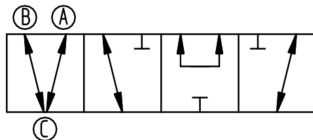
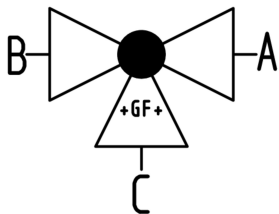


PROGEF Standard 3-Way ball valve type 543 Horizontal/T-port With lockable handle With fusion sockets metric

Model:

- Material: PP-H
- For easy installation and removal (valve end and union nut are compatible with type 546)
- Ball seals PTFE
- Pneumatic or electric actuator available separately
- Angle of operation 360° without turn limiter
- Turn limiter 90° enclosed, in different positions usable as a clip-on ring
- Integrated stainless steel mounting inserts
- Multifunctional lever red with ratched setting 45°, lockable
- Delivery status A-B-C opened, see flow scheme



d [mm]	DN [mm]	PN [bar]	kv-val- ue ($\Delta p=1$ bar) [l/min]	EPDM Code	SP	Weight [kg]	FPM Code	SP	Weight [kg]
16	10	10	140	167 543 581	1	0.169	167 543 591	1	0.169
20	15	10	200	167 543 582	1	0.173	167 543 592	1	0.173
25	20	10	470	167 543 583	1	0.247	167 543 593	1	0.247
32	25	10	793	167 543 584	1	0.368	167 543 594	1	0.368
40	32	10	1290	167 543 585	1	0.624	167 543 595	1	0.624
50	40	10	1910	167 543 586	1	0.968	167 543 596	1	0.913
63	50	10	3100	167 543 587	1	1.764	167 543 597	1	1.764

d [mm]	D [mm]	H [mm]	H1 [mm]	H2 [mm]	L [mm]	L1 [mm]	L2 [mm]	L3 [mm]	L4 [mm]	L5 [mm]	L6 [mm]	M	z [mm]	z1 [mm]
16	50	79	28	8	110	87	72	36	25	42	45	6	82	41
20	50	79	28	8	112	87	72	36	25	42	45	6	82	41
25	58	88	32	8	129	108	85	43	25	50	58	6	97	49
32	68	94	36	8	146	108	98	49	25	50	58	6	110	55
40	84	113	45	9	170	141	118	59	45	66	75	8	132	66
50	97	119	51	9	193	141	135	68	45	66	75	8	151	76
63	124	141	65	9	244	165	176	88	45	78	87	8	188	94

d [mm]	closest inch [inch]
16	3/8
20	1/2
25	3/4
32	1
40	1 1/4
50	1 1/2
63	2

The technical data are not binding. They neither constitute expressly warranted characteristics nor guaranteed properties nor a guaranteed durability. They are subject to modification. Our General Terms of Sale apply.

Georg Fischer Piping Systems Ltd, Postfach, CH-8201 Schaffhausen/Switzerland
 Phone +41 -(0)52-631 1111
 e-mail: info.ps@georgfischer.com
 Internet: <http://www.gfps.com>