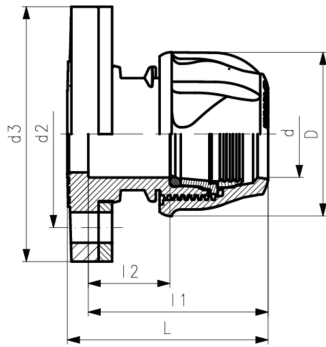


Flanged joint with metal flange

- installation without disassembling
- suitable for PE and PEX pipes
- water PN16
- material: PP
- gasket: NBR quality for drinkable water
- flange: steel
- colour: blue-black



d [mm]	DN [inch]	DN [mm]	PN [bar]	Code	GP	Weight [kg]	D [mm]	d2 [mm]	d3 [mm]	L [mm]	I1 [mm]	I2 [mm]
50	1 ½	40	16	158 400 114	0	1.131	97	110	150	118	88	30
50	2	50	16	158 400 115	0	1.168	97	125	160	119	88	30
63	2	50	16	158 400 116	0	1.277	114	125	160	13	104	35
63	2 ½	65	16	158 400 117	0	1.621	114	145	187	137	104	35
75	2 ½	65	16	158 400 118	0	1.932	135	145	187	170	133	41
75	3	80	16	158 400 119	0	2.131	135	160	205	168	133	41
90	3	80	16	158 400 120	0	2.561	161	160	205	192	150	44
90	4	100	16	158 400 121	0	2.892	161	180	220	195	150	44
110	4	100	16	158 400 122	0	3.133	185	180	220	223	175	53

The technical data are not binding. They neither constitute expressly warranted characteristics nor guaranteed properties nor a guaranteed durability. They are subject to modification. Our General Terms of Sale apply.

Georg Fischer Piping Systems Ltd, Postfach, CH-8201 Schaffhausen/Switzerland
 Phone +41 -(0)52-631 1111
 e-mail: info.ps@georgfischer.com
 Internet: <http://www.gfps.com>