



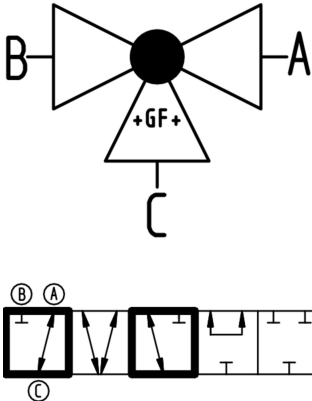
3-Way ball valve type 167 PVC-U
Horizontal/L-port 100-230V
With manual emergency override
With solvent cement spigots metric

Model:

- Voltage 100-230V, 50-60Hz
- Factory set control range 90°<
- Basic position A-C opened, activated position B-C opened, see flow scheme
- Other positions possible by adjusting the limit switches
- Heating element, position feedback (Open/Close/ Middle)
- Integrated stainless steel mounting inserts

Option:

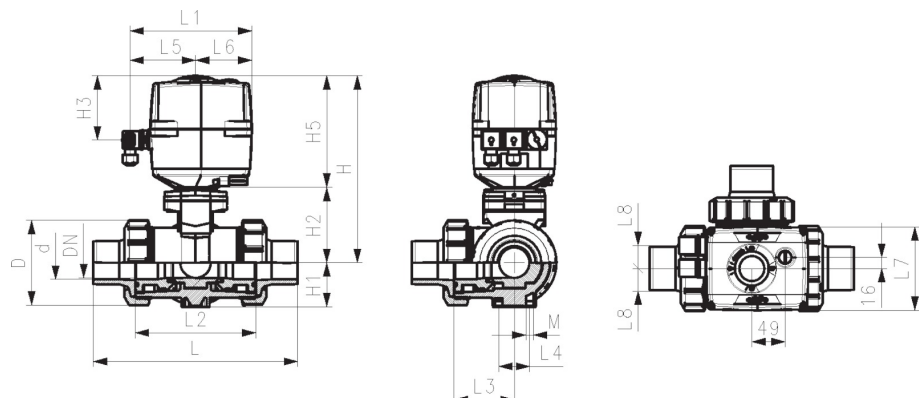
- Optional accessories: Fail-safe return unit, Monitoring board, Position controller, Profibus DP board



d (mm)	DN (mm)	PN (bar)	kv-value ($\Delta p=1$ bar) (L/min)	EA	EPDM Code	Weight (kg)	FKM Code	Weight (kg)
16	10	10	50	EA25	199 167 002	2.128	199 167 012	2.128
20	15	10	75	EA25	199 167 003	2.137	199 167 013	2.137
25	20	10	150	EA25	199 167 004	2.271	199 167 014	2.271
32	25	10	280	EA25	199 167 005	2.470	199 167 015	2.470
40	32	10	480	EA25	199 167 006	2.891	199 167 016	2.891
50	40	10	620	EA25	199 167 007	3.749	199 167 017	3.385
63	50	10	1230	EA25	199 167 008	4.809	199 167 018	4.809

d (mm)	D (mm)	H (mm)	H1 (mm)	H2 (mm)	H3 (mm)	H5 (mm)	H6 (mm)	L (mm)	L1 (mm)	L2 (mm)	L3 (mm)	L4 (mm)	L5 (mm)	L6 (mm)	L7 (mm)
16	50	231	28	64	94	167	8	131	180	194	36	25	97	83	122
20	50	231	28	64	94	167	8	141	180	194	36	25	97	83	122
25	58	240	32	73	94	167	8	165	180	194	43	25	97	83	122
32	68	240	36	73	94	167	8	182	180	194	50	25	97	83	122
40	84	251	45	84	94	167	9	209	180	194	60	45	97	83	122
50	97	251	51	84	94	167	9	242	180	194	69	45	97	83	122
63	124	273	65	106	94	167	9	302	180	194	89	45	97	83	122

d (mm)	L8 (mm)	M (mm)	closest inch (inch)
16	33	6	3/8
20	33	6	1/2
25	33	6	3/4
32	33	6	1
40	33	8	1 1/4
50	33	8	1 1/2
63	33	8	2



Data sheet

valid from: 7/6/17



The technical data are not binding. They neither constitute expressly warranted characteristics nor guaranteed properties nor a guaranteed durability. They are subject to modification. Our General Terms of Sale apply.

Georg Fischer Piping Systems Ltd, Postfach, CH-8201 Schaffhausen/Switzerland

Phone +41 -(0)52-631 1111

e-mail: info.ps@georgfischer.com

Internet: <http://www.gfps.com>