



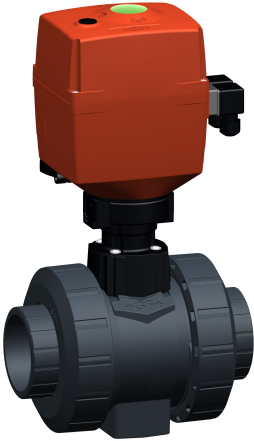
Ball valve type 179 PVC-U 100-230V
With manual emergency override
With solvent cement sockets metric

Model:

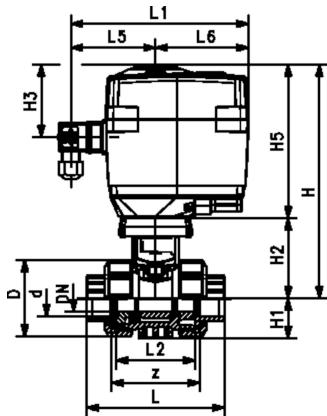
- Voltage 100-230V, 50-60Hz
- Factory set control range 90°<
- Heating element, position feedback (Open/Close/ Middle)
- Integrated stainless steel mounting inserts

Option:

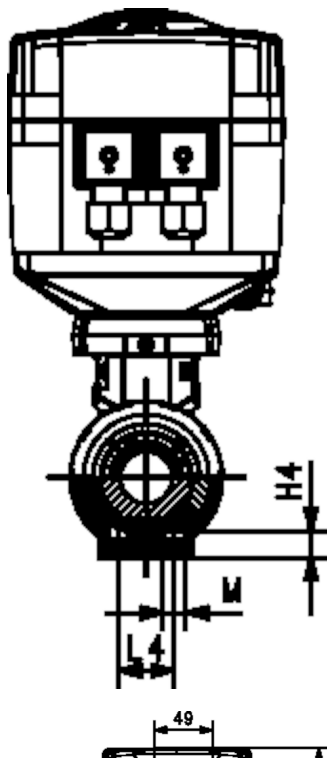
- Other valve and actuator configurations available
- Optional accessories: Fail-safe return unit, Monitoring board, Position controller, Profibus DP board



d (mm)	DN (mm)	PN (bar)	kv-value ($\Delta p=1$ bar) (l/min)	EA	EPDM Code	Weight (kg)	FKM Code	Weight (kg)
16	10	10	70	EA25	199 179 002	2.100	199 179 012	2.100
20	15	10	185	EA25	199 179 003	2.462	199 179 013	2.100
25	20	10	350	EA25	199 179 004	2.563	199 179 014	2.200
32	25	10	700	EA25	199 179 005	2.300	199 179 015	2.300
40	32	10	1000	EA25	199 179 006	2.692	199 179 016	2.600
50	40	10	1600	EA25	199 179 007	3.154	199 179 017	3.168
63	50	10	3100	EA25	199 179 008	3.888	199 179 018	3.800
75	65	10	5000	EA45	199 179 009	7.631	199 179 019	7.400
90	80	10	7000	EA120	199 179 010	9.800	199 179 020	9.800
110	100	10	11000	EA120	199 179 011	14.791	199 179 021	14.100



d (mm)	D (mm)	H (mm)	H1 (mm)	H2 (mm)	H3 (mm)	H4 (mm)	H5 (mm)	L (mm)	L1 (mm)	L2 (mm)	L4 (mm)	L5 (mm)	L6 (mm)	L7 (mm)	M
16	50	227	27	60	94	12	167	92	180	56	25	97	83	122	M6
20	50	227	27	60	94	12	167	95	180	56	25	97	83	122	M6
25	58	231	30	64	94	12	167	110	180	65	25	97	83	122	M6
32	68	237	36	70	94	12	167	123	180	71	25	97	83	122	M6
40	84	243	44	76	94	15	167	146	180	85	45	97	83	122	M8
50	97	249	51	82	94	15	167	157	180	89	45	97	83	122	M8
63	124	264	64	97	94	15	167	183	180	101	45	97	83	122	M8
75	166	323	85	156	94	15	167	233	180	136	70	98	82	122	M8
90	200	335	105	168	94	15	167	255	180	141	70	98	82	122	M8
110	238	342	123	175	94	22	167	301	180	164	120	98	82	122	M12



d (mm)	z (mm)	closest inch (inch)
16	68	3/8
20	67	1/2
25	76	3/4
32	82	1
40	98	1 1/4
50	99	1 1/2
63	111	2
75	148	2 1/2
90	156	3
110	178	4

Data sheet

valid from: 7/12/19



The technical data are not binding. They neither constitute expressly warranted characteristics nor guaranteed properties nor a guaranteed durability. They are subject to modification. Our General Terms of Sale apply.

Georg Fischer Piping Systems Ltd, Postfach, CH-8201 Schaffhausen/Switzerland

Phone +41 -(0)52-631 1111

e-mail: info.ps@georgfischer.com

Internet: <http://www.gfps.com>