

Diaphragm valve DIASTAR Ten PVC-U
FC (Fail safe to close)
Unions with solvent cement sockets metric

Model:

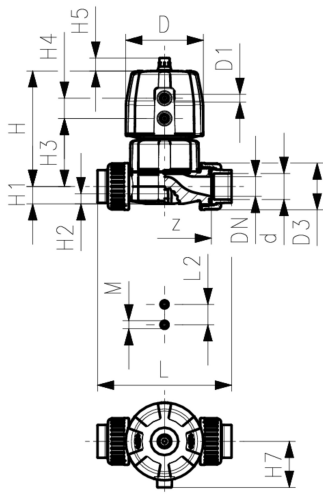
- Double flow rate compared to predecessor
- One housing nut replaces four screws
- Rotating air connection at 90° intervals
- For easy installation and removal
- Short overall length

Option:

- Individual configuration of the valve (see diagram)
- Comprehensive range of accessories available

* PN: PTFE

Working Pressure: **one side**



d (mm)	DN (mm)	PN (psi)	PN* (bar)	kv-value (Δp=1 bar) (l/min)	EPDM Code	SP Weight (kg)	FKM Code	SP Weight (kg)		
16	10	150	10/10*	125	161 624 011	1	0.567	161 624 061	1	0.592
20	15	150	10/10*	125	161 624 012	1	0.592	161 624 062	1	0.592
25	20	150	10/10*	271	161 624 013	1	1.104	161 624 063	1	1.121
32	25	150	10/10*	481	161 624 014	1	1.337	161 624 064	1	1.347
40	32	150	10/10*	759	161 624 015	1	2.358	161 624 065	1	2.216
50	40	150	10/10*	1263	161 624 016	1	3.928	161 624 066	1	3.804
63	50	150/90*	10/6*	1728	161 624 017	1	5.524	161 624 067	1	4.683

d (mm)	PTFE/EPDM Code	SP Weight (kg)	PTFE/FKM Code	Weight (kg)
16	161 624 031	1	0.573	
20	161 624 032	1	0.602	161 624 052
25	161 624 033	1	1.111	161 624 053
32	161 624 034	1	1.352	161 624 054
40	161 624 035	1	2.236	161 624 055
50	161 624 036	1	3.958	161 624 056
63	161 624 037	1	4.643	161 624 057

d (mm)	D (mm)	D1_G (inch)	H (mm)	H1 (mm)	H2 (mm)	H3 (mm)	H4 (mm)	H5 (mm)	H7 (mm)	L (mm)	L2 (mm)	M	z (mm)	Lift = Hx (mm)
16	68	1/8	101	14	12	60	24	16	43	170	25	M6	142	7
20	68	1/8	101	14	12	60	24	16	43	128	25	M6	96	7
25	96	1/8	132	18	12	73	25	16	57	152	25	M6	114	10
32	96	1/8	143	22	12	84	25	16	57	166	25	M6	122	13
40	120	1/8	173	26	15	99	26	26	69	192	45	M8	140	15
50	150	1/4	214	32	15	119	36	26	88	222	45	M8	160	19
63	150	1/4	226	39	15	132	36	26	88	266	45	M8	190	23

d (mm)	closest inch (inch)
16	3/8
20	1/2
25	3/4
32	1
40	1 1/4
50	1 1/2
63	2

Data sheet

valid from: 6/30/17



The technical data are not binding. They neither constitute expressly warranted characteristics nor guaranteed properties nor a guaranteed durability. They are subject to modification. Our General Terms of Sale apply.

Georg Fischer Piping Systems Ltd, Postfach, CH-8201 Schaffhausen/Switzerland

Phone +41 -(0)52-631 1111

e-mail: info.ps@georgfischer.com

Internet: <http://www.gfps.com>