

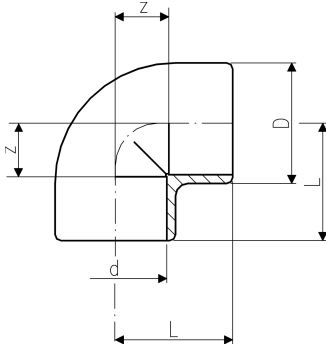


PROGEF Standard elbow 90°

Model:

- Material: PP-H

* use pipe SDR 7.4



	d [mm]	PN [bar]	Code	SP	Weight [kg]	D [mm]	L [mm]	z [mm]	closest inch [inch]
*	16	10	727 100 105	10	0.014	26	25	12	3/8
	20	10	727 100 106	10	0.020	31	28	14	1/2
	25	10	727 100 107	10	0.029	36	32	16	3/4
	32	10	727 100 108	10	0.044	44	38	20	1
	40	10	727 100 109	10	0.071	54	44	24	1 1/4
	50	10	727 100 110	10	0.121	66	51	28	1 1/2
	63	10	727 100 111	10	0.228	82	62	35	2
	75	10	727 100 112	5	0.301	93	76	45	2 1/2
	90	10	727 100 113	5	0.477	110	88	53	3
	110	10	727 100 114	4	0.869	134	106	65	4

The technical data are not binding. They neither constitute expressly warranted characteristics nor guaranteed properties nor a guaranteed durability. They are subject to modification. Our General Terms of Sale apply.

Georg Fischer Piping Systems Ltd, Postfach, CH-8201 Schaffhausen/Switzerland
 Phone +41 -(0)52-631 1111
 e-mail: info.ps@georgfischer.com
 Internet: <http://www.gfps.com>