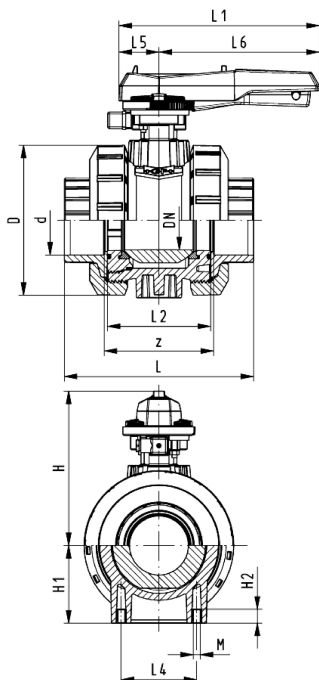
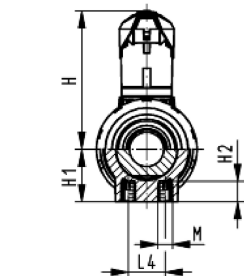
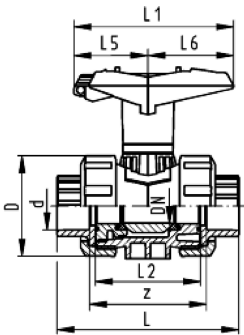
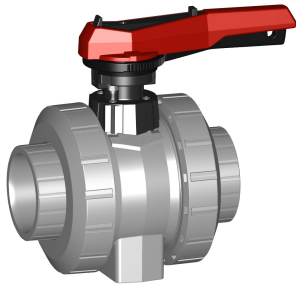


DN10/15 - 50



Ball valve type 546 PVC-C
With lockable handle
With solvent cement sockets metric

Model:

- For easy installation and removal
- Ball seals PTFE
- Integrated stainless steel mounting inserts
- z-dimension, valve end and union nut are **not compatible** with type 346 (DN10/15-50) resp. type 370 (DN65-100)
- Lockable hand lever with ratchet settings

Option:

- Individual configuration of the valve (see diagram)
- Multifunctional module with integrated limit switches
- Pneumatic or electric actuators from +GF+

d (mm)	DN (mm)	PN (bar)	kv-value ($\Delta p=1$ bar) (L/min)	EPDM Code	SP	Weight (kg)	FPM Code	SP	Weight (kg)
16	10	16	71	163 546 081	1	0.175	163 546 091	1	0.175
20	15	16	185	163 546 082	1	0.175	163 546 092	1	0.175
25	20	16	350	163 546 083	1	0.270	163 546 093	1	0.270
32	25	16	700	163 546 084	1	0.390	163 546 094	1	0.390
40	32	16	1000	163 546 085	1	0.700	163 546 095	1	0.700
50	40	16	1600	163 546 086	1	0.930	163 546 096	1	0.930
63	50	16	3100	163 546 087	1	1.695	163 546 097	1	1.695
75	65	16	5000	163 546 088	1	4.900	163 546 098	1	4.900
90	80	16	7000	163 546 089	1	6.647	163 546 099	1	7.400
110	100	16	11000	163 546 090	1	11.600	163 546 100	1	11.600

d (mm)	D (mm)	H (mm)	H1 (mm)	H2 (mm)	L (mm)	L1 (mm)	L2 (mm)	L4 (mm)	L5 (mm)	L6 (mm)	M	z (mm)	closest inch (inch)
16	50	79	27	12	92	87	56	25	42	45	M6	64	3/8
20	50	79	27	12	95	87	56	25	42	45	M6	64	1/2
25	58	88	30	12	110	108	65	25	50	58	M6	72	3/4
32	68	94	36	12	123	108	71	25	50	58	M6	79	1
40	84	113	44	15	146	140	85	45	66	75	M8	94	1 1/4
50	97	119	51	15	157	140	89	45	66	75	M8	95	1 1/2
63	124	141	64	15	183	165	101	45	78	87	M8	107	2
75	166	224	85	15	233	270	136	70	64	206	M8	144	2 1/2
90	200	235	105	15	254	270	141	70	64	206	M8	151	3
110	238	245	123	22	301	320	164	120	64	256	M12	174	4

Datasheet

valid from: 11/27/15



The technical data are not binding. They neither constitute expressly warranted characteristics nor guaranteed properties nor a guaranteed durability. They are subject to modification. Our General Terms of Sale apply.

Georg Fischer Piping Systems Ltd, Postfach, CH-8201 Schaffhausen/Switzerland

Phone +41 -(0)52-631 1111

e-mail: info.ps@georgfischer.com

Internet: <http://www.gfps.com>