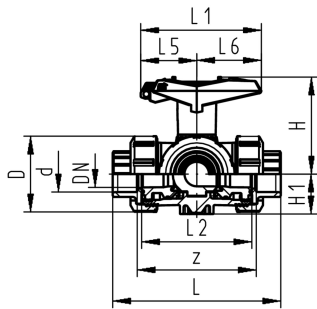


3-Way ball valve type 543 PVC-C
Horizontal/L-port
With lockable handle
With solvent cement sockets metric

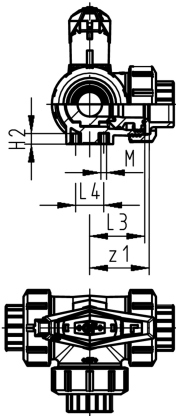
Model:

- For easy installation and removal (valve end and union nut are compatible with type 546)
- Ball seals PTFE
- Pneumatic or electric actuator available separately
- Angle of operation 360° without turn limiter
- Integrated stainless steel mounting inserts
- Multifunctional lever red with ratched setting 45°, lockable
- Delivery status A-C opened, see flow scheme

d (mm)	DN (mm)	PN (bar)	kv-value ($\Delta p=1$ bar) (l/min)	EPDM Code	SP Weight (kg)	FPM Code	SP Weight (kg)
16	10	10	50	163 543 381	1	0.281	163 543 391
20	15	10	75	163 543 382	1	0.287	163 543 392
25	20	10	150	163 543 383	1	0.410	163 543 393
32	25	10	280	163 543 384	1	0.616	163 543 394
40	32	10	480	163 543 385	1	1.043	163 543 395
50	40	10	620	163 543 386	1	1.534	163 543 396
63	50	10	1230	163 543 387	1	2.972	163 543 397



d (mm)	D (mm)	H (mm)	H1 (mm)	H2 (mm)	L (mm)	L1 (mm)	L2 (mm)	L3 (mm)	L4 (mm)	L5 (mm)	L6 (mm)	M (mm)	z (mm)	z1 (mm)	closest inch (inch)
16	50	79	28	8	109	87	73	36	25	42	45	6	81	40	3/8
20	50	79	28	8	112	87	73	36	25	42	45	6	81	40	1/2
25	58	88	32	8	131	108	86	43	25	50	58	6	94	47	3/4
32	68	94	36	8	151	108	99	50	25	50	58	6	107	54	1
40	84	113	45	9	181	141	120	60	45	66	75	8	130	65	1 1/4
50	97	119	51	9	205	141	137	69	45	66	75	8	143	72	1 1/2
63	124	141	65	9	261	165	179	89	45	78	87	8	185	92	2



The technical data are not binding. They neither constitute expressly warranted characteristics nor guaranteed properties nor a guaranteed durability. They are subject to modification. Our General Terms of Sale apply.

Georg Fischer Piping Systems Ltd, Postfach, CH-8201 Schaffhausen/Switzerland
 Phone +41 -(0)52-631 1111
 e-mail: info.ps@georgfischer.com

Datasheet

valid from: 11/27/15



Internet: <http://www.gfps.com>